

## 500KGS ENGINE SUPPORT REF.: 2062



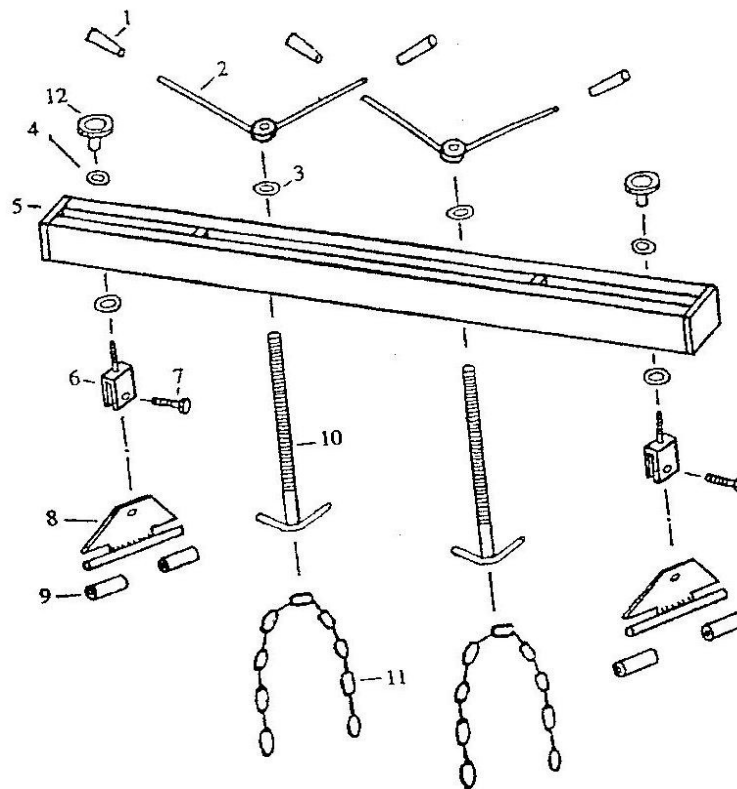
**Characteristics:**

Minimum width: 725mm  
Maximum width: 1480mm  
Capacity: 500kg  
Chain length: 1M  
Adjustable height: 0-205mm

**Application:**

- This bar allows use in heavy jobs such as removal of the transmission
- Comes with parts needed to perform work on the transmission or engine of the vehicle, steel beam, foot blocks, rubber supports, chains and hooks
- The brackets bring rubber so that it does not damage the paint of the vehicle
- The engine mount is designed to support the engine so that parts and mechanisms underneath can be achieved

**Warning:** Please do not exceed the maximum capacity-500KG in order to avoid the property damage.



N.º	Description	Qty.	N.º	Description	Qty.
1	Handle Sleeve	4	7	Bolt M12x25	2
2	Grip Handle	2	8	Standing Bracket	2
3	Washer	4	9	Rubber Block	4
4	Washer	2	10	Adjustable Screw	2
5	Beam	1	11	Chain	2
6	Standing Block and bolt	2	12	Look Nut	2