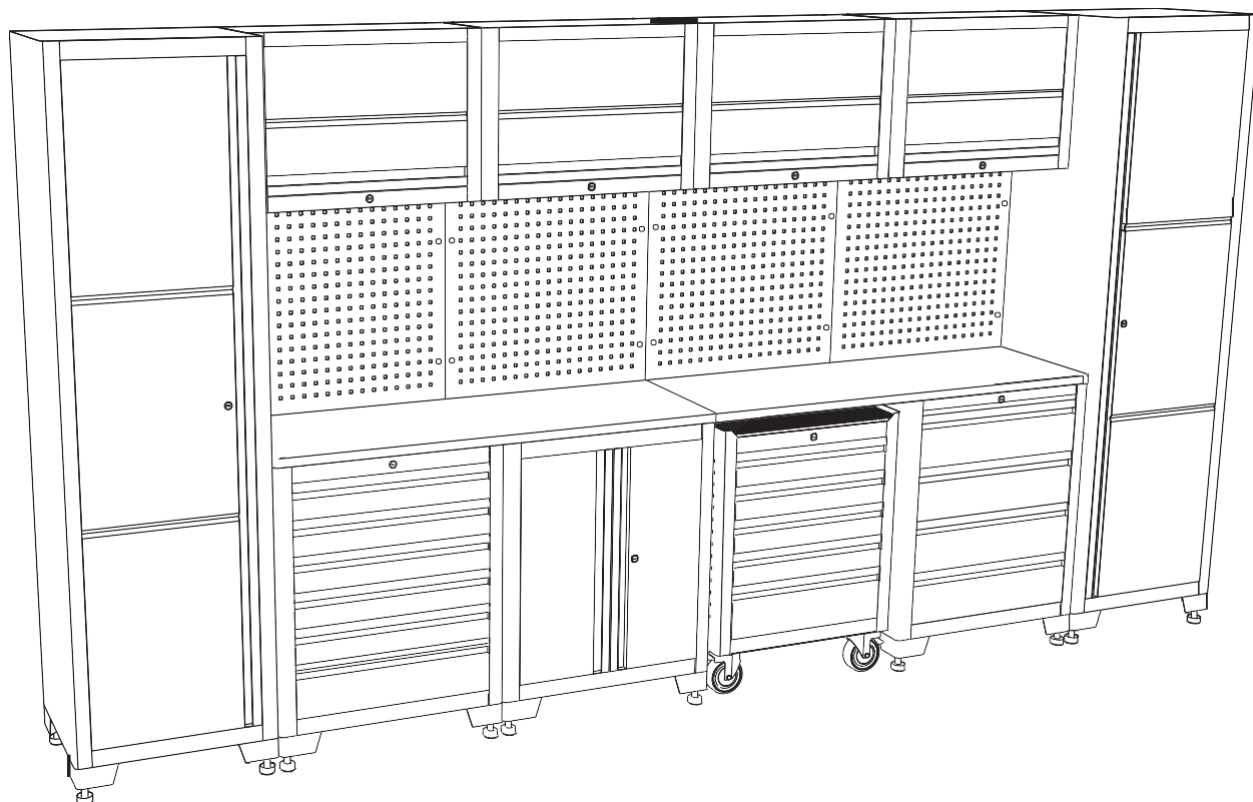
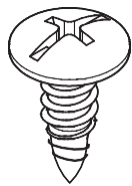


Modularni Delux sustav 16 ormarića za radionice 9508



HARDWARE CONTENTS

NO.	DESCRIPTION	QTY.
A	ST5X20	15
B	M6X16	132
C	M6	34
D	M8X20	16



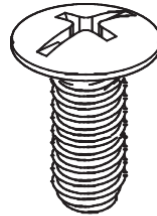
A



B



C



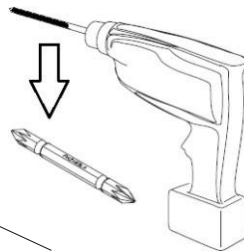
D

RECOMMENDED TOOLS FOR INSTALLATION



FOR

C



OR

FOR

A

B

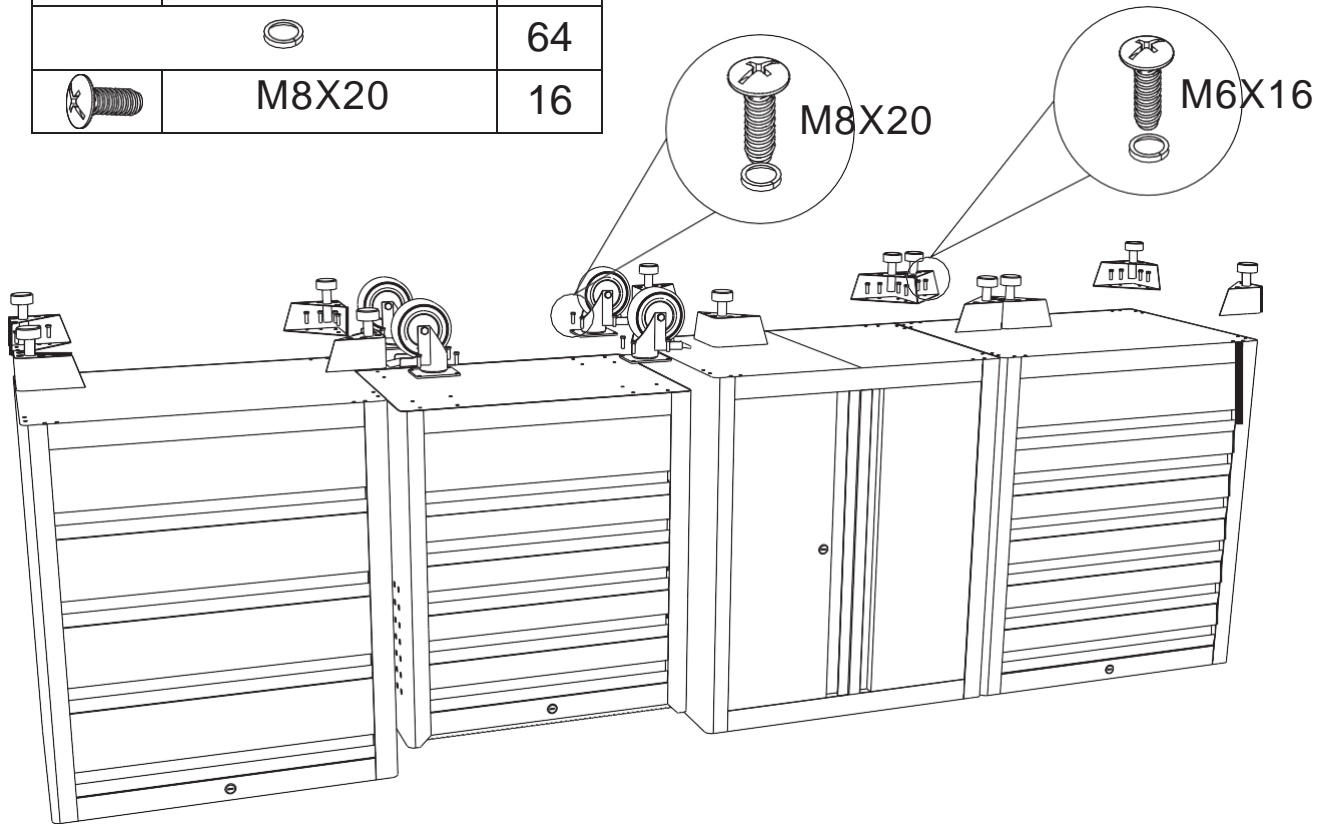
D

PH+

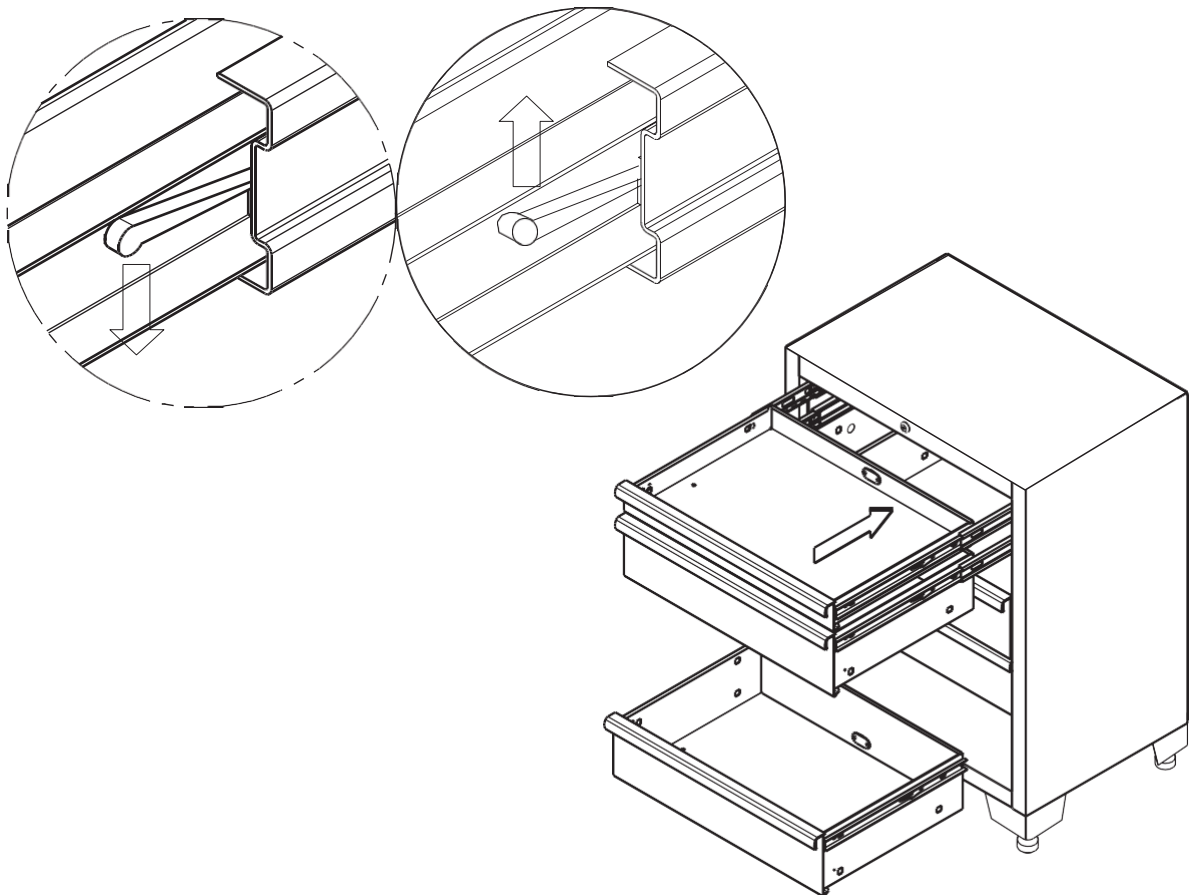


1




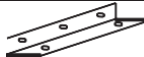
	M6X16	48
		64
	M8X20	16

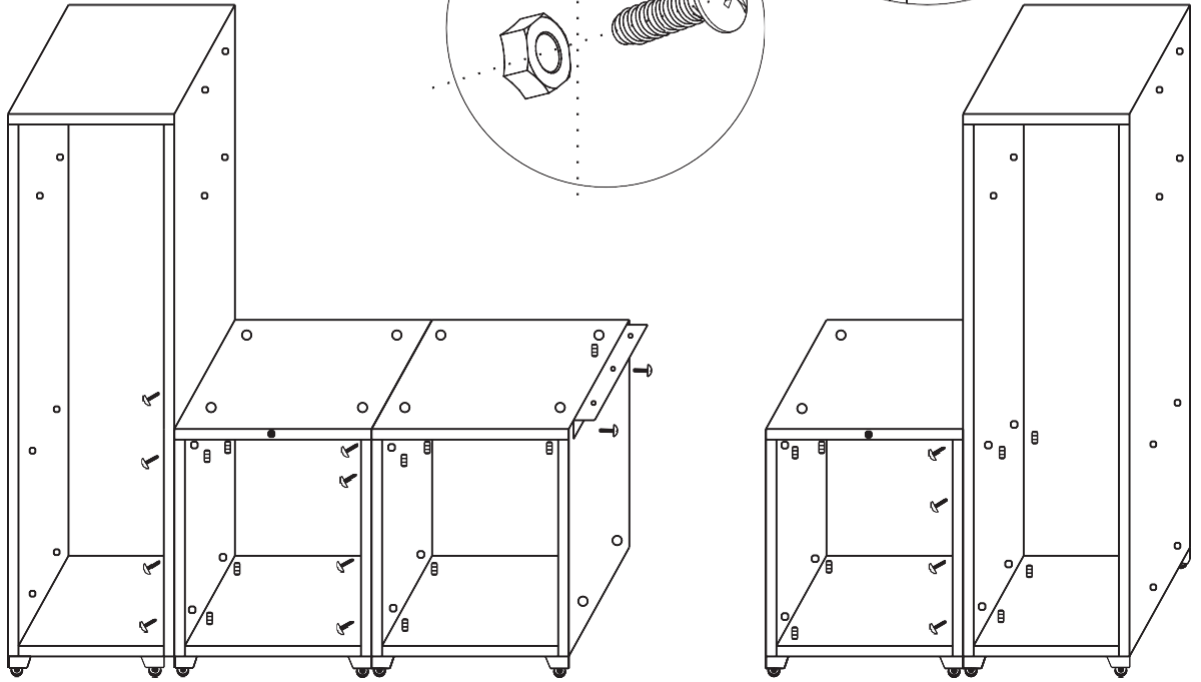
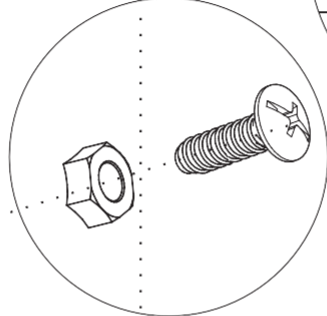
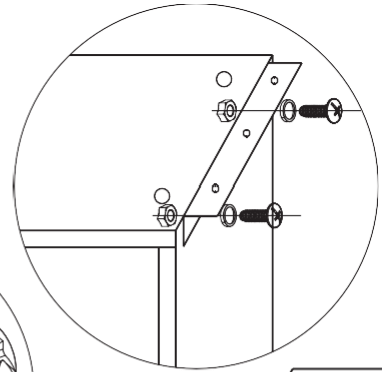


2





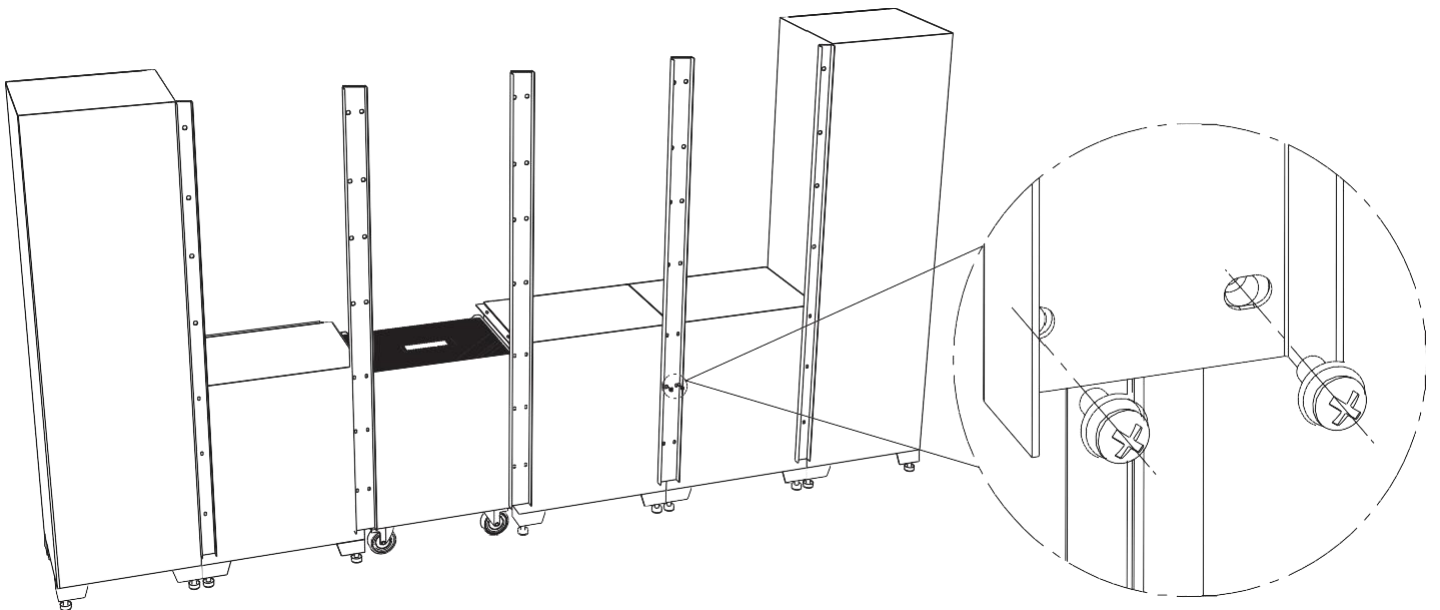
3

1		M6X16	14
2		M6	14
3			2
3			1




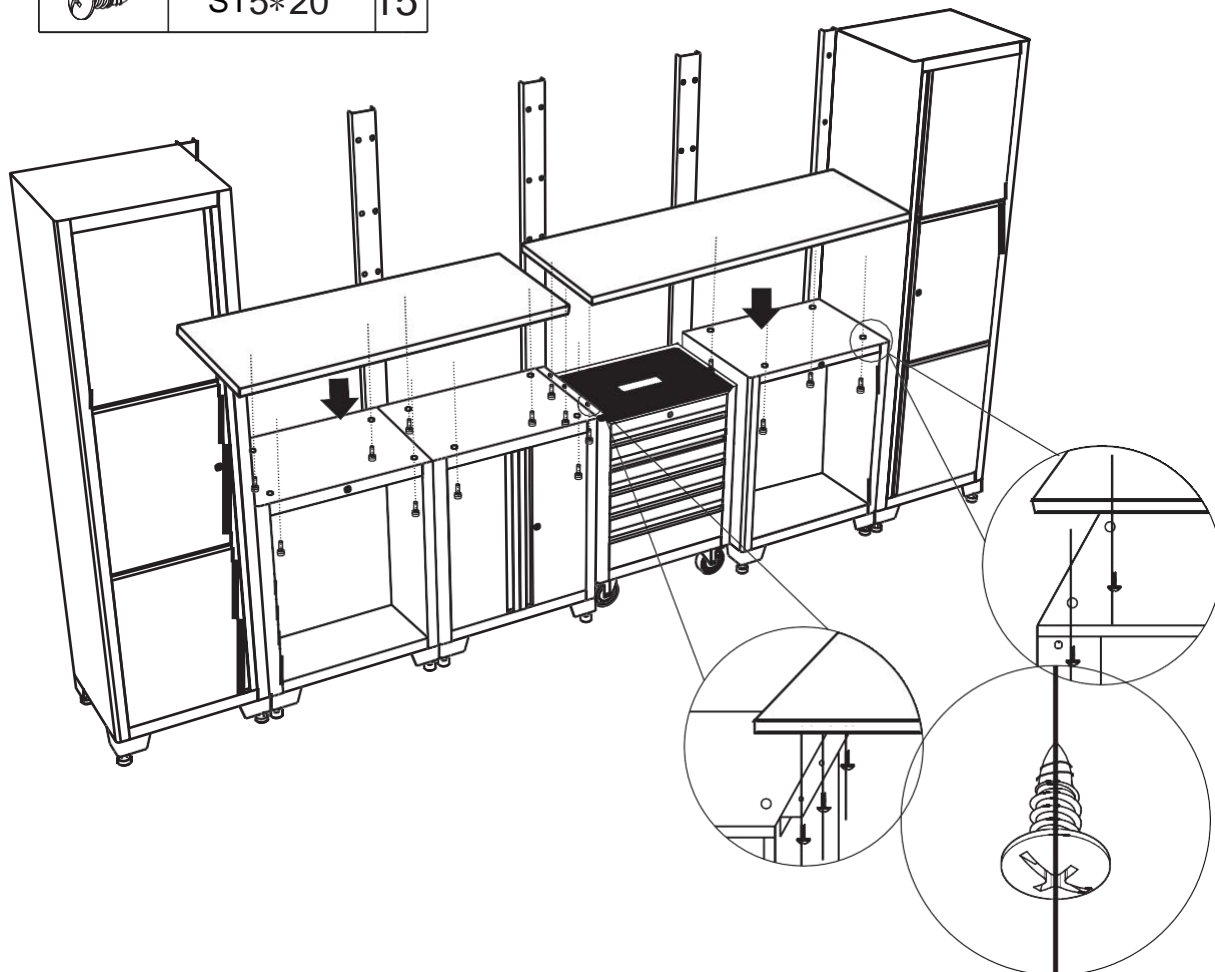
4

	M6*16	18
	M6	18

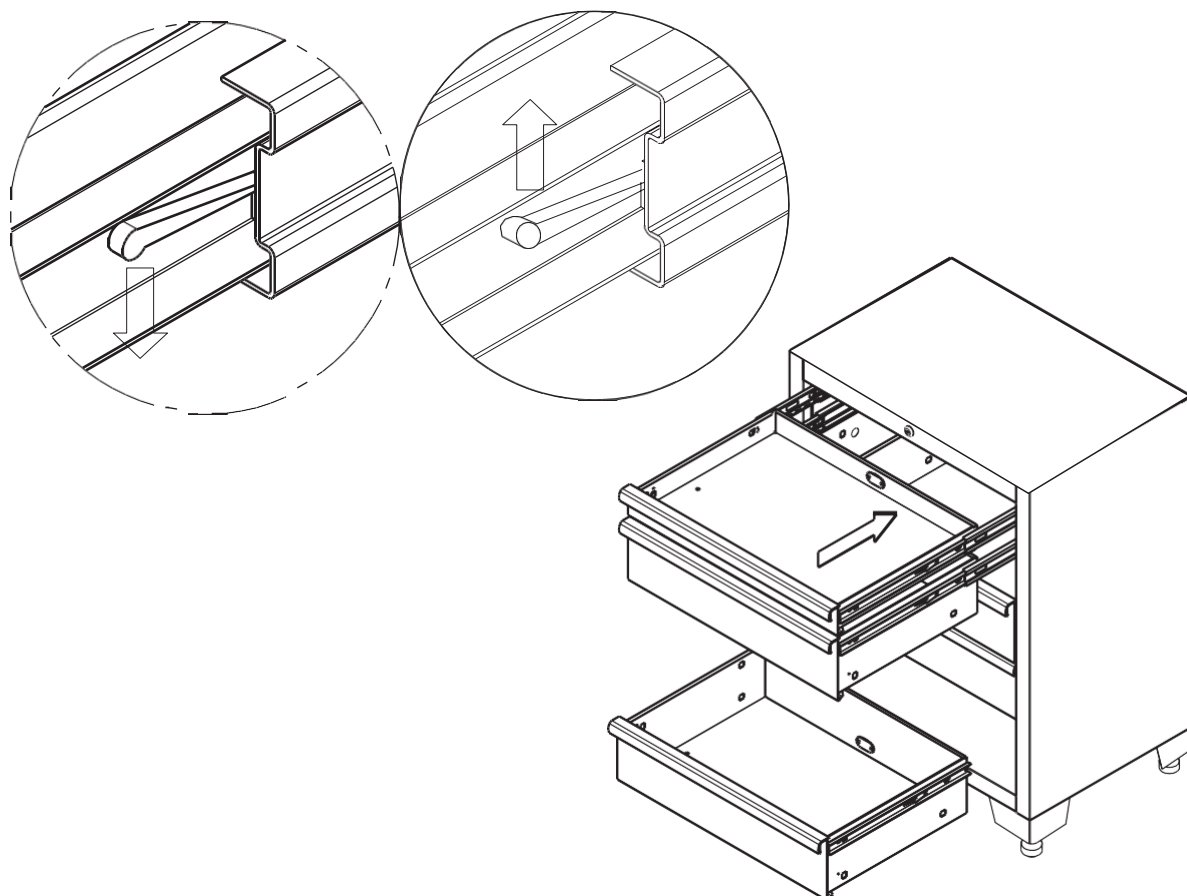


5

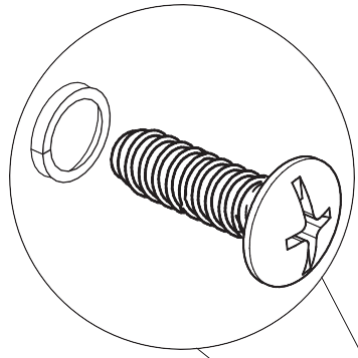
	ST5*20	15
--	--------	----





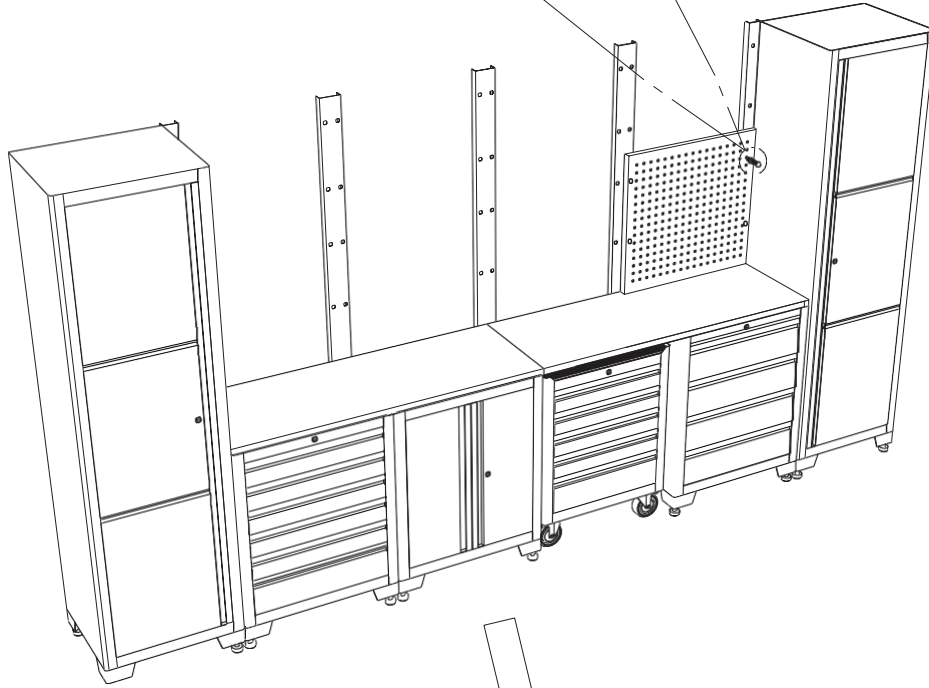
6



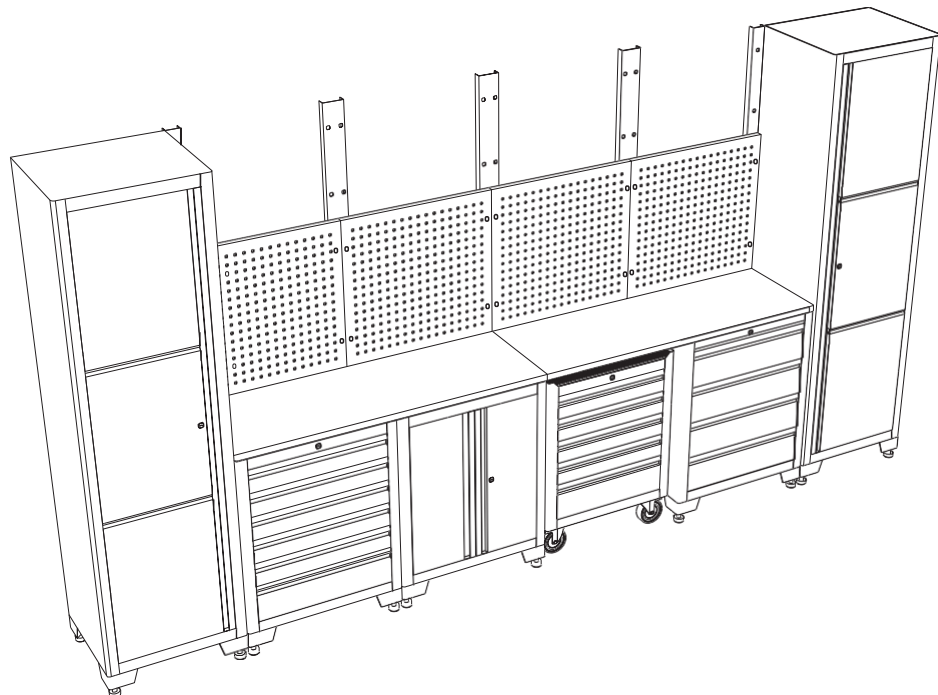
7



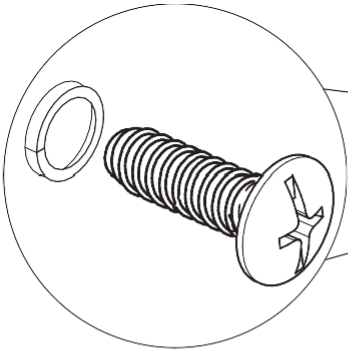
	M6*16	16
	M6	16





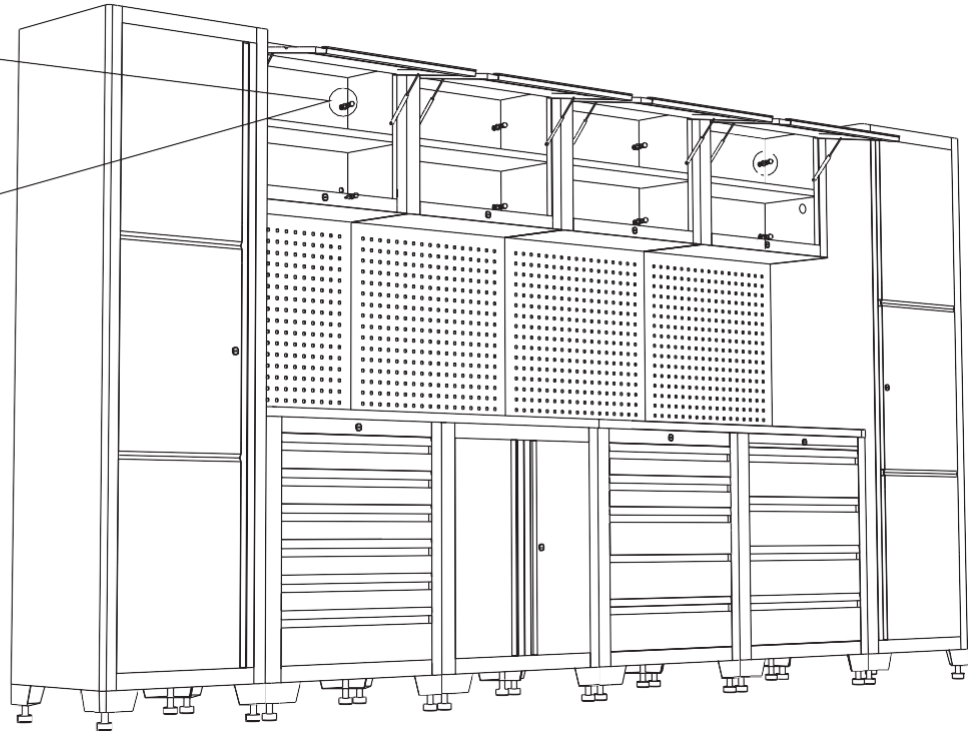
8





9

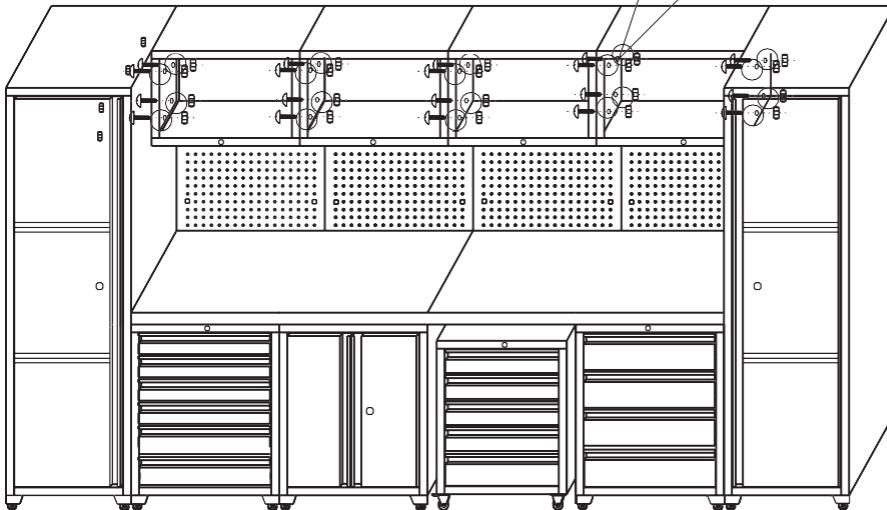
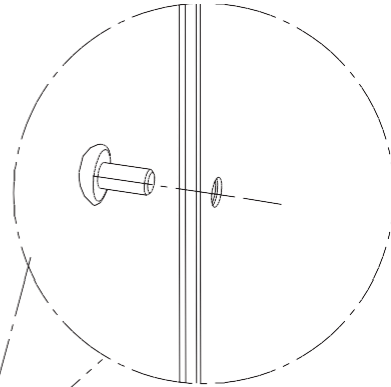


	M6*16	16
	M6	16

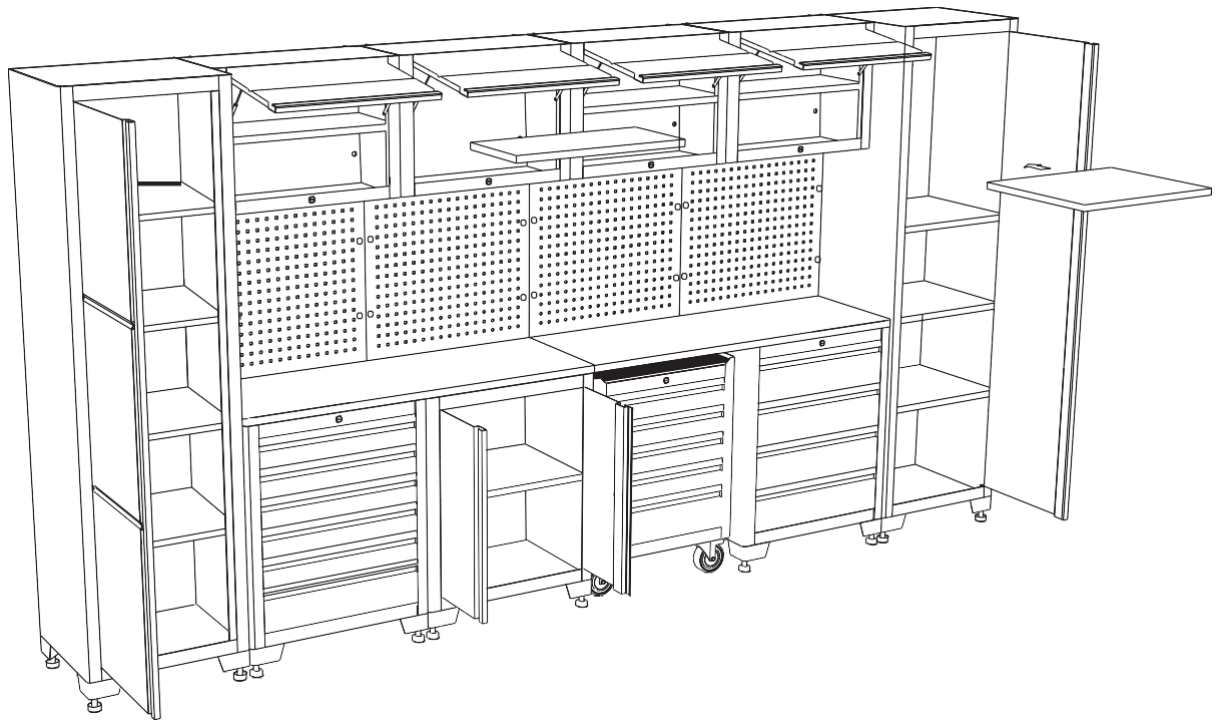


10

1		M6*16	20
2		M6	20



11



12

